



MILLENNIUM METALS, INC.

10200 Eastport Road Jacksonville, FL 32218
877-358-7663 MMI2000.net

Off Ridge Vent Installation Instructions

A. Preparation

To prepare roof for installation it will be necessary to determine how many and what type of vents will be needed for the project.

Off Ridge Ventilation should be installed as evenly as possible across the roof section. The roof vent should be installed a minimum of 6" off the peak of the ridge. Cut out sizes are located below in **Table 1-1**.

IMPORTANT NOTE: DO NOT CUT INTO RAFTERS OR TRUSSES.

When installing vents on an existing shingle roof remove shingles from the sides and top of the opening. Remove any nails that interfere with installing the vent. This typically includes nails that are to be 3" within the body of the vent. Shingles and existing nails should remain on the bottom slope up to the cut opening.

Roof cement is necessary around the perimeter of the underside of the vent to seal it to the underlayment or shingles. The cement should also be installed on the vent completely cover back and side flanges. The cement should be 1/4" thick and should extend 2" onto the underlayment. The lower portion of the vent should already have shingles installed up to the cut opening. The lower portion of the vent should sit on the roof cement. Shingles should be installed on the back and side flanges of the vent. All exposed nails should be covered with a 1-part urethane sealant.

B. Opening & Positioning

The cut opening should be positioned a minimum of 10" from the back flange. This allows a minimum clearance of 2-1/2" from the roof to the top of the vent. The vent should be centered horizontally over the opening. *(Use cut-out size below)*

Off Ridge Vent Installation Chart		
<u>Length</u>	<u>Net Free Area (sq in)</u>	<u>Cut Out Size</u>
4'	138	46" x 3"
6'	210	70" x 3"
8'	282	94" x 3"
10'	354	118" x 3"

Table 1-1

C. Fastening of the Off Ridge Vent

- 1) The MMI Off Ridge Vent, the Off Ridge Vent with detachable baffle, the Off Ridge Vent with the permanent baffle and the Off Ridge Vent with the retro baffle should all be attached 8" o.c. with a minimum 11 gauge 1-1/4" ring shank nail. The nail should penetrate roof deck by a 3/16" minimum. The nail shall be located 1-1/2" from all edges of the flange of the vent. Nail must be corrosion resistant to ASTM F 1667.

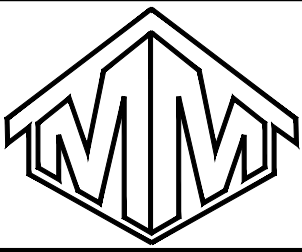
D. Minimum Pitch on Shingle Roof

- 1) The minimum pitch on shingle roof for the MMI Off Ridge Vent is 2/12.

Millennium Metals manufactures off ridge vents in the following gauges of steel & aluminum (*Aluminum available with detachable baffle only*), which meets the requirements of the Florida Building Code (chapter 15).

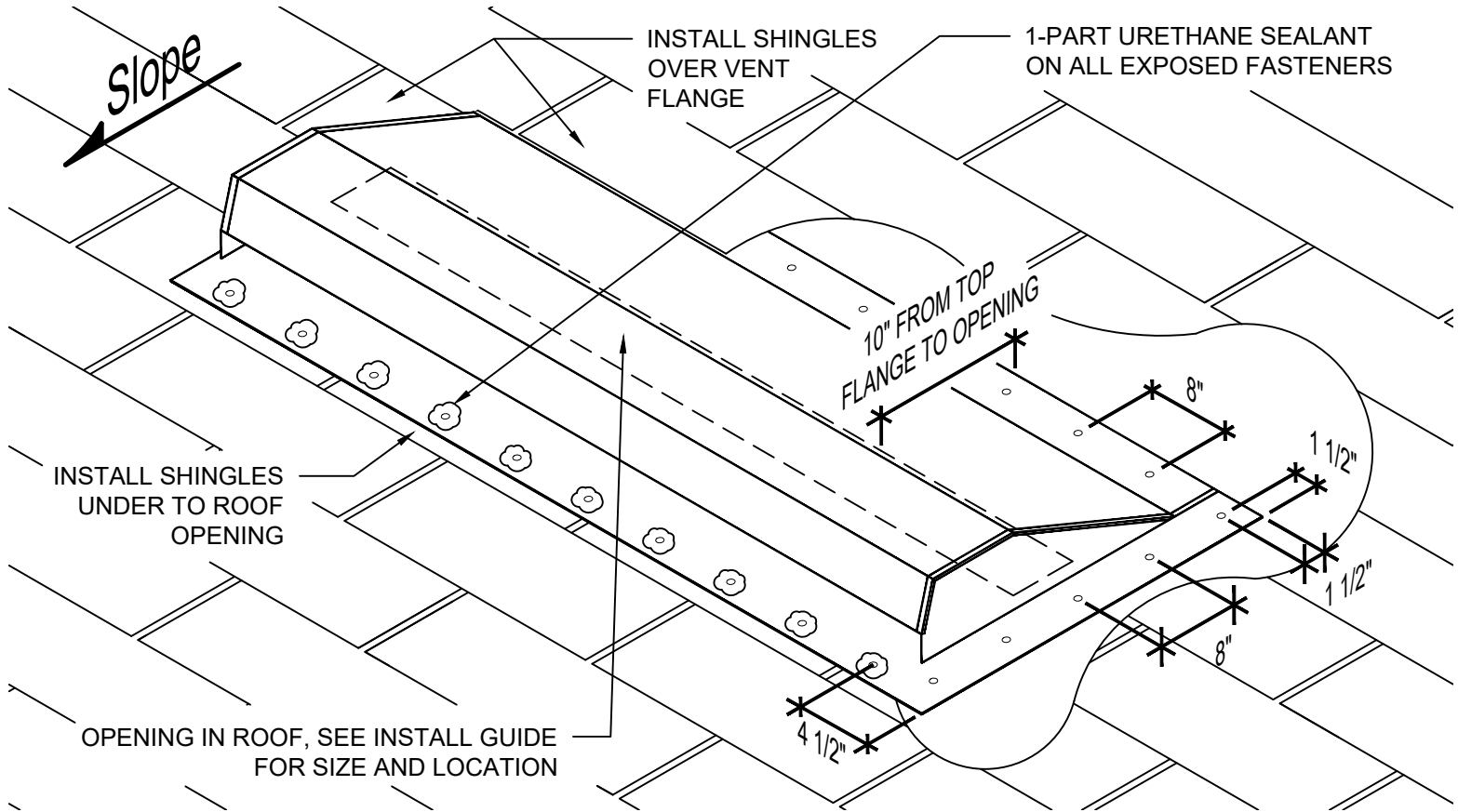
26 gauge (.0179 min) AZ50 Acrylic Coated Galvalume Steel
26 gauge (.0179 min) ASTM A-653 Steel G-90 Commercial Steel Type B
26 gauge (.0179 min) ASTM A-755 Ptd Steel Commercial Steel Type B
Ptd Aluminum (.025 min) ASTM B-209 *

**Aluminum is only available with detachable baffle.*

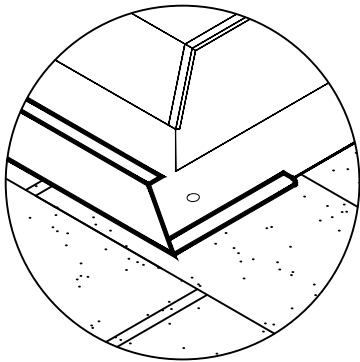


MILLENNIUM METALS, INC.

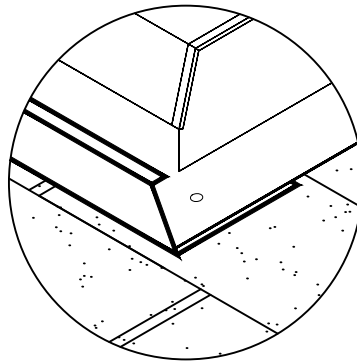
10200 EASTPORT ROAD JACKSONVILLE, FL 32218
904-358-8366 WATTS 1-877-358-7663 (ROOF)
FAX 904-358-8285



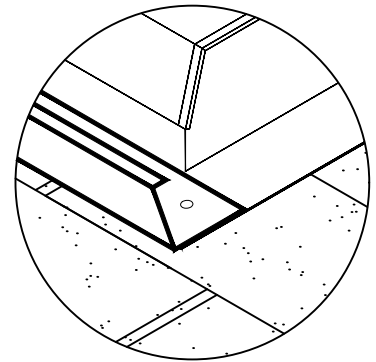
MMI OFF RIDGE VENT BAFFLE OPTIONS (BAFFLE FACE IS 3-1/4")



DETACHABLE BAFFLE:
SLIDE BAFFLE ONTO LOWER
ROOF VENT FLANGE AND
SECURE.



ATTACHED PERMANENT BAFFLE:
BAFFLE COMES ATTACHED TO
VENT. SECURE THROUGH VENT
AND BAFFLE



RETROFIT BAFFLE:
COAT BOTTOM FLANGE OF ROOF
VENT WITH URETHANE SEALANT.
PLACE BAFFLE ON URETHANE
SEALANT AND SECURE.

OFF RIDGE VENT

MILLENNIUM METALS INC.

TOLL FREE: 1-877-358-7663

FAX: 904-358-8285

SUBJECT TO CHANGE WITHOUT NOTICE 12/19/17

PAGE 2